



CAR FILLING



DISPENSERS



PUMPS



METERS



NOZZLE METERS



NOZZLES

# SUZZARABLUE PUMP DC

## FEATURES

- **READY TO USE**
- **MULTI-PURPOSE PUMP**
- **SELF PRIMING**
- **BUILT-IN BYPASS VALVE**

The Piusi SUZZARABLUE DC PUMP is an electric DC diaphragm pump suitable for transferring AdBlue®. This self-priming pump is equipped with a built-in pressure by-pass.

## PERFORMANCE

up to  
**34 L/MIN**

FLOW-RATE

**20 MIN**

DUTY CYCLE



SUZZARABLUE PUMP DC

## PACKAGING

CODE	WEIGHT		PACKAGING		N. BOXES/EUROPALLET	
	KG	LBS	MM	PCS/BOX		
FO0204080	3,6	7,9	350X180X280	1	60	84
FO0204090	3,6	7,9	350X180X280	1	60	84



FILTRATION



FLUID MONITORING



HOSE REELS



ACCESSORIES



MERCHANDISE



AIR



ANTIFREEZE



AdBlue®



BIODIESEL



DIESEL



FOOD



GASOLINE



GREASE



KEROSENE



OIL

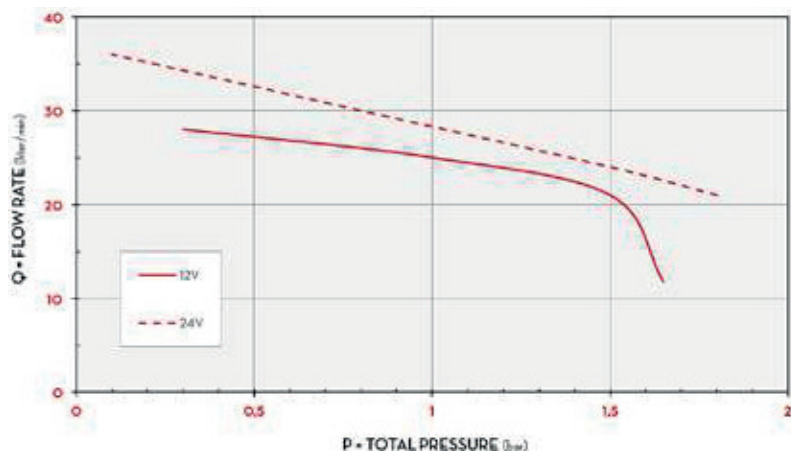


WATER



WINDSCREEN

## CHARTS



NORMAL CONDITIONS

## IN THE BOX

- SUZZARABLU PUMP
- CLAMPS
- INSTRUCTION MANUAL

## DETAILS

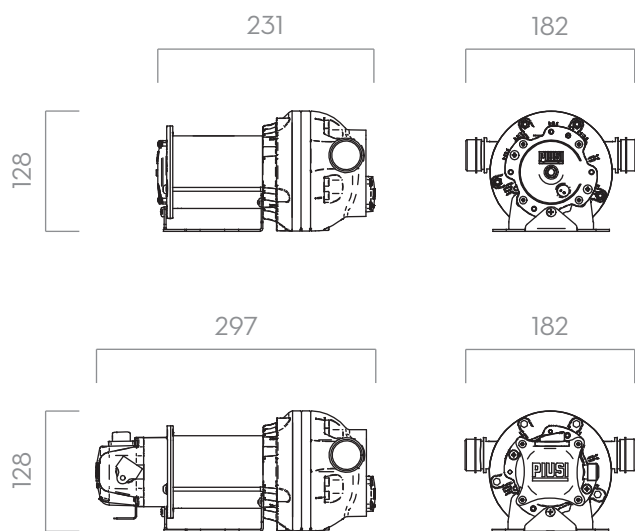


ON/OFF SWITCH



CLAMPS

## DIMENSIONS



Dimensions expressed in millimeters

## MATERIALS

- BODY: POLIPROPYLENE
- DIAPHRAGM: POLIPROPYLENE

## TECHNICAL DATA

CODE	DESCRIPTION	FLUIDS TYPE	FLOW-RATE		VOLTAGE				CABLES MOD.	INLET-OUTLET BSP	ON/OFF SWITCH
			L/MIN	GPM	AC V/HZ DC VOLT	RPM	POWER WATT	AMP. MAX.			
FOO204080	SUZZARABLU DC PUMP 12V	Ad	34	9	12	2800	260	22	YES	3/4"	YES
FOO204090	SUZZARABLU DC PUMP 24V	Ad	34	9	24	2800	310	13	YES	3/4"	YES

# SUZZARABLU PUMP DC

DC PUMPS



# DC PUMPS

## ACCESSORIES

### SUZZARABLUE PUMP DC

KIT HANDLE

CODE

DESCRIPTION



R16175010

KIT HANDLE