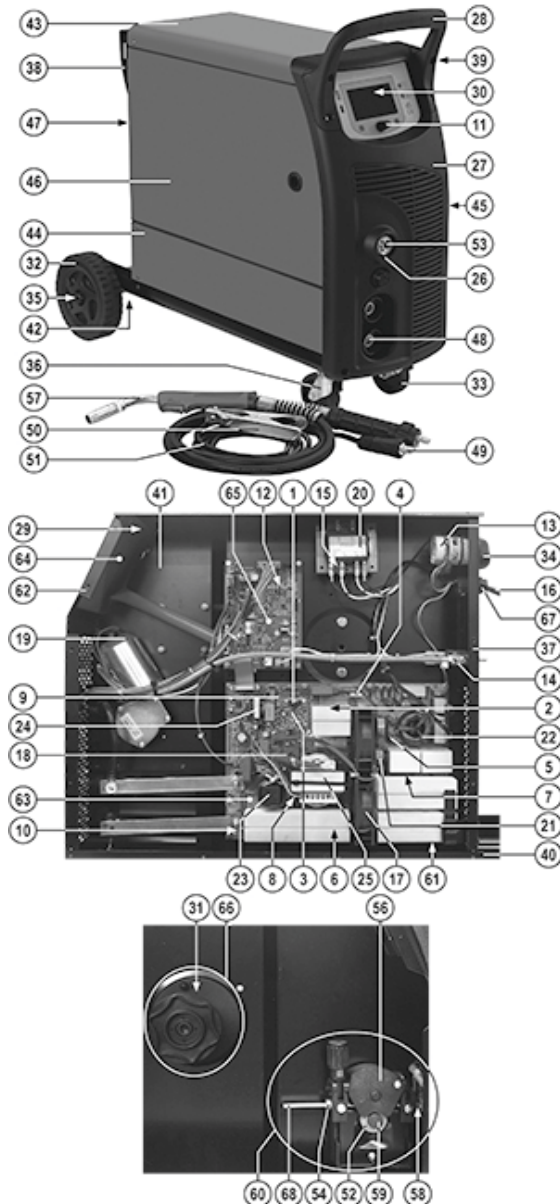


## ELECTROMIG 230 WAVE 400V

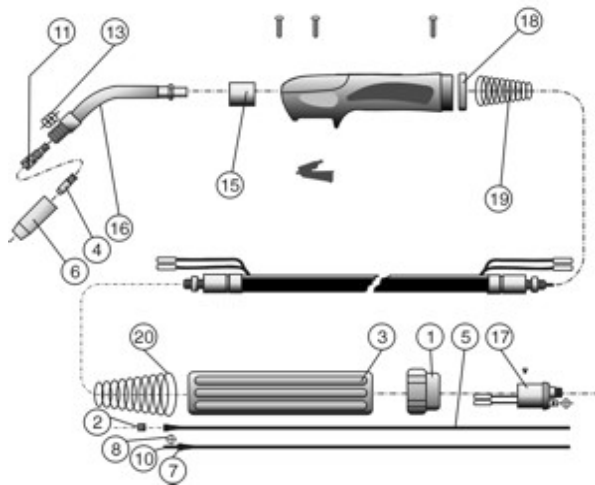


Ref.	Description	Key
1	IGBT	111095
2	SINGLE PHASE BRIDGE	116506
3	PWM CONTROLLER	116630
4	RESISTANCE	116752
5	VARISTOR	116760
6	DIODE	116839
7	CONDENSER	116882
8	VOLTAGE SUPPRESSOR	116935
9	RESISTANCE 10R 2W 5% FUSE	116962
10	THERMAL SWITCH	121261
11	ENCODER KNOB	121315
12	FUSE	121456
13	SWITCH	121556
14	ELECTROVALVE	122035
15	FUSE	122432
16	MAINS CABLE 2,5 M	132412
17	FAN	152006
18	TA	152296
19	MOTOREDCUER 24VDC + HALL SONDE	153041
20	AUXILIARY TRANSFORMER	164270
21	INDUCTANCE	169746
22	FILTER INDUCTOR	169747
23	OUTPUT INDUCTANCE	169808
24	FLYBACK AUXILIARY TRANSFORMER	169862
25	TRANSFORMER	169863
26	TORCH CONNECTION PROTECTION	312105
27	FRONT PANEL	321136
28	HANDLE SET	321165
29	CARD HOLDER	321184
30	SHIELD	321185
31	REEL SPACER	321210
32	FIXED WHEEL	322201
33	WHEEL	322245
34	SWITCH KNOB SET	323101
35	WHEELS AXLE	681065

Ref.	Description	Key
36	SWIVEL SUPPORT + BRAKE	484688
37	BACK PANEL	642478
38	BOTTLE HOLDER	645614
39	TORCH HOOK	645704
40	BOTTOM	645710
41	DIAPHRAGM	645711
42	WHEELS AXLE BRACKET	645715
43	COVER	651208
44	RIGHT SIDE PANEL	651221
45	SIDE PANEL	656180
46	DOOR	656181
47	DOOR PIN	691012
48	DINSE SOCKET DX 50	712036
49	DINSE PLUG DX 50	712040
50	TOLEDO 300 WORK CLAMP	712231
51	CABLE 25MMQ 3M-WORK CLAMP-DX 50	713192
52	FEED ROLL D. 0,6-0,8 MM FE	722112
53	TORCH CONNECTION	723229
54	WIRE GUIDE INLET	742064
55	FEED ROLL D. 0,8-1 MM AL	742090
56	ANCHOR FOR PRESSURE ROLLER	742096
57	MT25 MIG TORCH 3M	742183
58	WIRE CONDUIT Ø 2X5	742365
59	ROLLERFIXING SCREW	742397
60	KIT 2 ROLLS WIREFEEDER	981496
61	IGBT + DIODE KIT	981698
62	FRONT PANEL KIT	981699
63	COMPLETE PCB KIT	981700
64	FRONT PANEL CARD kit	981701
65	CONTROL PCB KIT	981702
66	REEL KIT	981703
67	KIT CABLE BUSHING + RING NUT	990046
68	GAS HOSE KIT	990097

# 816060

## ELECTROMIG 230 WAVE 400V



Ref.	Description	Key
1	RING NUT	722007
2	LINER NUT	722013
3	TORCH CONNECTION	742175
4	CONTACT TIP D. 0,8 MM FE	722680
4	CONTACT TIP D. 0,6 MM FE	722415
4	CONTACT TIP D. 1 MM FE	722681
4	CONTACT TIP D. 1 MM AL/FLUX	722552
4	CONTACT TIP D. 1,2 MM FE	722682
4	CONTACT TIP D. 1,2 MM AL/FLUX	722553
5	WIRE GUIDE HOSE D. 0,6-0,8 MM 3 M	722437
5	WIRE GUIDE HOSE D. 1-1,2 MM 3 M	722689
5	WIRE GUIDE HOSE D. 1-1,2 MM 3 M AL	722516
6	CONICAL NOZZLE	722685
6	CYLINDRICAL NOZZLE	722684
6	THIN HEADED NOZZLE	722686
6	SPOT WELDING NOZZLE D. 18 MM	722687
7	WIRE GUIDE LOCKING NIPPLES	722598
8	OR RING	722601
8	OR RING	722606
10	WIRE GUIDE LOCKING TUBE	722600
11	GAS DIFFUSER	722688
13	NOZZLE SPRING	722690
15	TORCH CONNECTION INSULATION	722693
16	SWAN NECK	722696
17	TORCH ASSY	722441
18	TORCH RING NUT	742171
19	TORCH HOLDER + SPRING	742173
20	TORCH SPRING	742174